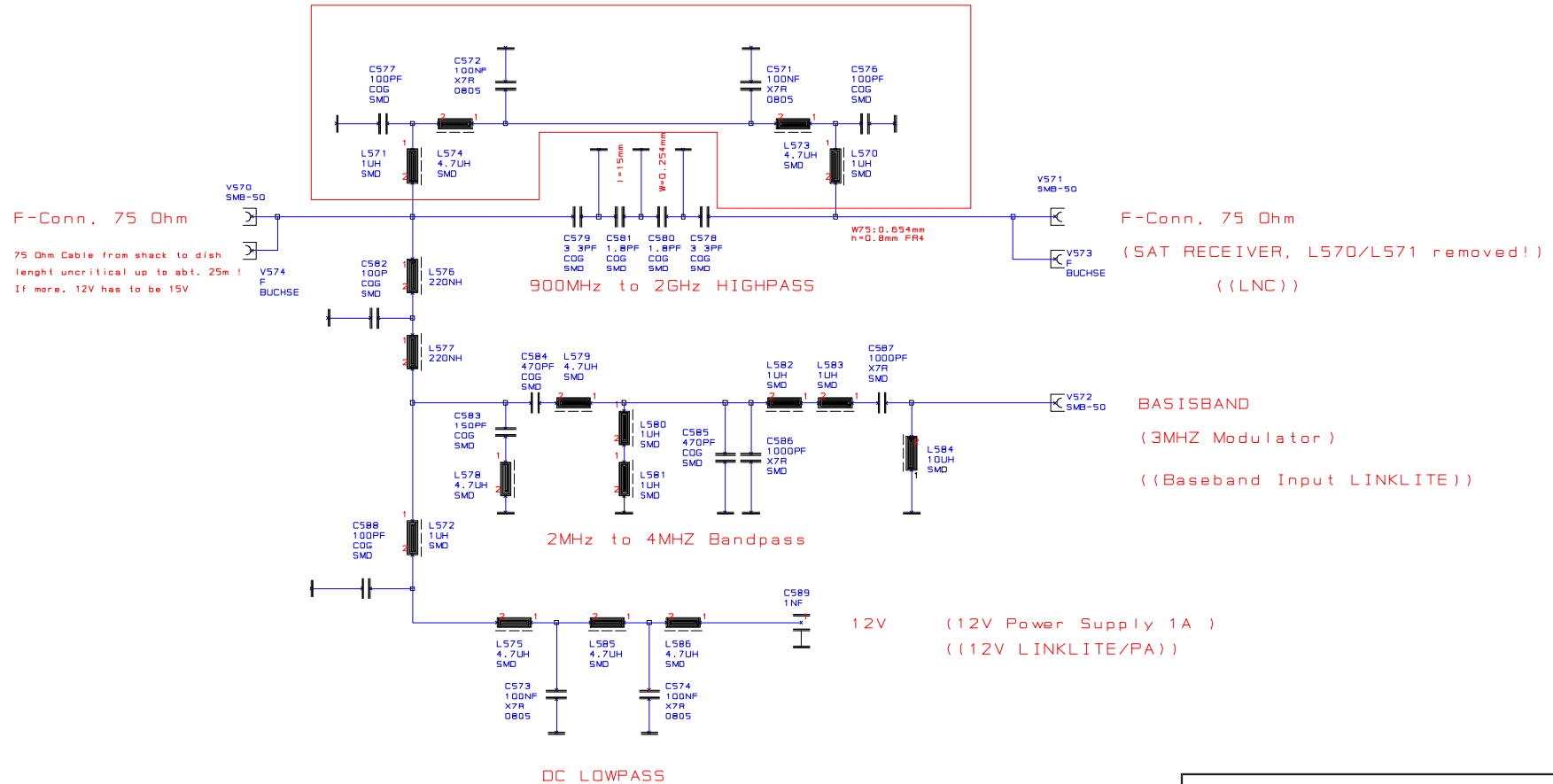


(when used in SHACK)
 ((when used at DISH))

DC BYPASS ONLY wenn use at antenna (DISH/SLOT)



75 Ohm Cable from shack to dish
 length uncritical up to abt. 25m!
 If more, 12V has to be 15V

(SAT RECEIVER, L570/L571 removed!)
 ((LNC))

BASISBAND
 (3MHZ Modulator)
 ((Baseband Input LINKLITE))

12V (12V Power Supply 1A)
 ((12V LINKLITE/PA))

F-Footprint: 1.52/1.52 from SMB)

DESCRIPTION:		Signal Splitter	
PCB:	TRIPLEX.edo	DRAWING-NR.:	
GROUP NR	10GHz LINK	DESIGNER:	Wintercheid, DF7IT
		FILENAME:	TRIPLEX.CSD
		DATE:	30 7 2000